

VULCAN
cycling equipment

DIY BICYCLE REPAIR STAND

USERS MANUAL



Read these instructions through carefully before using this product for the first time and afterwards retain them for future reference!

TECHNICAL SPECIFICATIONS:

Maximum load: 30 kg

For bicycle frames size 25 mm - 40 mm

INTENDED USE:

This bicycle assembly stand was developed for private use.

CONTENTS:

1 x allen key

1 x tripod (A)

1 x telescopic pole (B)

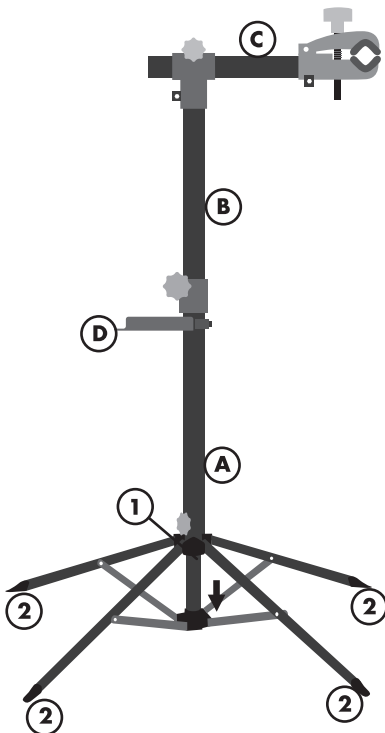
1 x bicycle bracket (C)

1 X tool tray (D)

1 X instructions

ASSEMBLY:

Fig. 1



Set up the tripod of the bicycle assembly stand by sliding the coupling (1) on the tripod (A) all the way down.

Fold the feet (2) on the tripod legs down and ensure the product is placed on a solid and even surface.

Now insert the telescopic pole (B) into the tripod, then mount the bicycle bracket (C) onto the telescopic pole.

The tool tray (D) can be attached anywhere on tripod (A).

Note

The feet on the assembly stand may optionally be screwed into the surface to achieve greater stability. Be sure to use the suitable mounting materials.

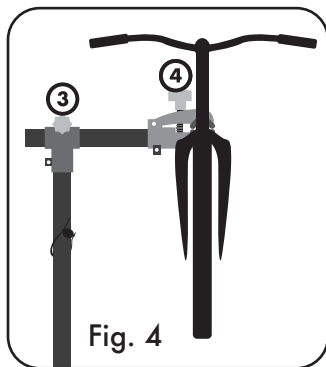
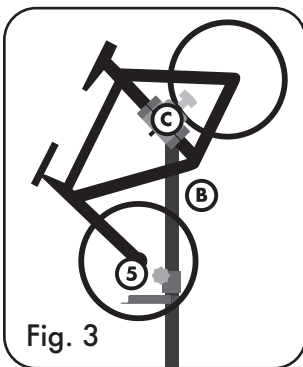
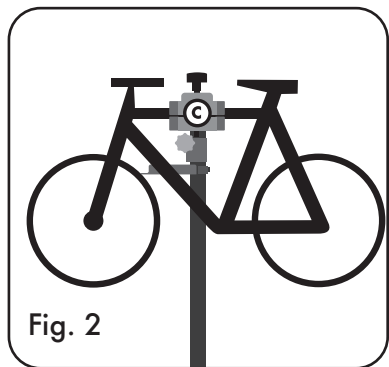
ATTACHING THE BICYCLE:

Attention:

After inserting the bicycle verify it is securely positioned and the bicycle assembly stand is stable.

Please observe the maximum extension lengths of the telescopic rod (B)
Never extend the cross-bar on the bicycle bracket (C) further than shown in fig.1.

Select a section of the bicycle frame to be clamped into the bicycle assembly stand. This frame section must be at the bicycle's centre of gravity.



Adjust the angle of the bicycle bracket (C) to fit the selected frame position of the bicycle (see examples in fig. 2 and fig. 3) and tighten the screw (3) (fig.4). Now place the bicycle in the bicycle bracket and firmly secure frame. Firmly tighten the screw (4) (fig.4).

We recommend performing the next step (height adjustment) with 2 persons.

You may then extend the telescopic rod (B) to the desired height.

Twisting the telescopic rod allows you to also change the position of the attached bicycle. Once you have reached the desired height and position firmly tighten the screw (5) (fig. 3).

TOOL TRAY:

A magnet is located inside the large compartment of the tool tray for securing small parts.

MAINTENANCE AND STORAGE:

Routinely clean the bicycle assembly stand. Always follow with a dry cloth!

Avoid harsh chemicals (e.g. solvents)!

Store the product in a dry and well-ventilated area.

Exclusively Distributed By

